



clockwise, from top left:
grey, new blue, pea green, white

brace pendant *light*

designer: karen gilbert + paul pavlak

A modern take on a classic shape, realized in handblown glass and a brass stem. The hand blown glass shade has a thick, polished top and is available in four opaque colors that fade to clear near the lower rim. The brass comes in a gunmetal finish and includes a swivel hang-straight below the canopy. Each light comes with three stem lengths: 12", 18" and 24", which can be combined. Bulb is not included - shown here to best effect with recommended classic reproduction bulb.

available in: grey-GRY new blue-NBL pea green-PEA white-WHT

LTM70GRY	brace pendant <i>light</i>	glass dimensions	16.5"(42cm) Dia/8"(20cm) H
		stem length	12"(30cm)
			18"(46cm)
			24"(61cm)



*clockwise, from top left:
amber, clear, olivin, red, smoke*

petal pendant light

designer: karen gilbert + paul pavlak

available in: amber-AMB clear-CLR olivin-OLV red-RED smoke-SMK

LTM72 ---	petal pendant light	glass dimensions	12"H (30cm) x 8"W (20cm) x 4"D (10cm)
		stem length	12"(30cm)
			18"(46cm)
			24"(61cm)



*clockwise, from top left:
amber, clear, olivin, red, smoke*

float pendant *light*

designer: karen gilbert + paul pavlak

available in: amber-AMB clear-CLR olivin-OLV red-RED smoke-SMK

LT251 ---

float pendant *light*

glass dimensions 9"H (30cm) x 10"Dia (20cm)
stem length 12"(30cm)
18"(46cm)
24"(61cm)



*top: white
bottom, from left: clear, amber*

spun pendant light

designer: karen gilbert + paul pavlak

available in: amber-AMB clear-CLR white-WHT

LT258 --- spun pendant light

glass dimensions 9"H (23cm) x 10" Dia (25cm)
stem length 12"(30cm)
18"(46cm)
24"(61cm)



wrap pendant light

designer: karen gilbert + paul pavlak

available in: *amber-AMB clear-CLR white-WHT*

LT120 --- wrap pendant light

glass dimensions 10" Dia (25cm)
length 24" (61cm)

from left: amber, clear, white



front view



side view

double lasso pendant *light*

designer: karen gilbert + paul pavlak

available in: *black-BLK clear-CLR white-WHT*

LT137 --- **double lasso pendant** *light*

glass dimensions
stem length

18"H (45cm) x 8"W (20cm) x 4"D (10cm)

12"(30cm)

18"(46cm)

24"(61cm)



float table lamp *light*

designer: karen gilbert + paul pavlak

A version of a large red SkLO float vessel serves as a base for this table lamp. With the expressive fire polished "mouth" of the float base prominently displayed, the rich red glass pairs with an airy handmade steel fabric-less shade to create a statement. A black fabric cord completes the piece. Pull chain switch at socket.

Single socket - 120V E26 100W max

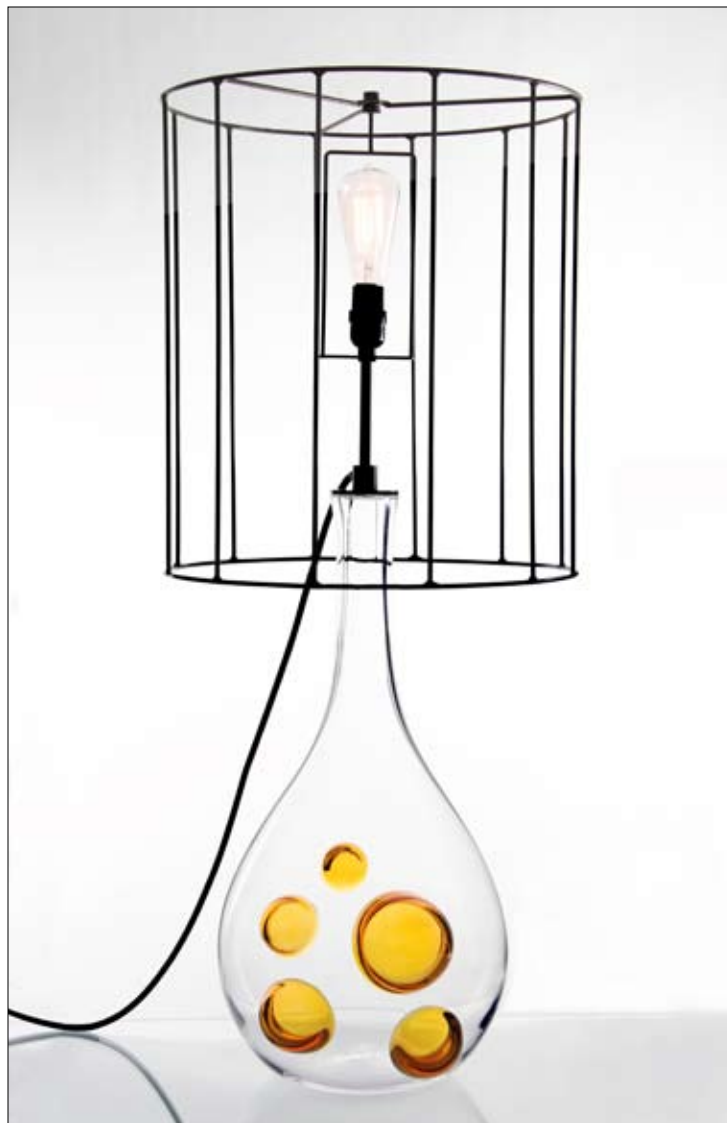
Available in red glass only.

Black fabric cord (250cm L)

Bulb not included.

LT203RED **float table lamp**

30"H x 19"Dia (76x48cm)



glow table lamp *light*

designer: karen gilbert + paul pavlak

A striking handblown clear glass base with protruding amber bubble accents serves as the base for this statement table lamp. An airy handmade steel fabric-less shade sits atop. A black fabric cord completes the piece. Pull chain switch at socket.

Single socket - 120V E26 100W max

Glass base available in clear with amber accents only.

Black fabric cord (250cm L)

Bulb not included.

LT202AMB **glow table lamp**

39"H x 16"Dia (100x40cm)



from left: *olivin, pink, tangerine, turquoise, amber, aqua, chartreuse, clear*

hold sconce *light*

designer: karen gilbert + paul pavlak

available in: *amber-AMB clear-CLR olivin-OLV red-RED smoke-SMK*

LT260 --- **hold sconce** *light* glass dimensions 18"H (45cm) x 8"W (20cm) x 4"D (10cm)



pull table lamp *light*

designer: karen gilbert + paul pavlak

A version of a large smoke SkLO pull vessel serves as a base for this table lamp. Handblown clear glass with an irregular accent in our translucent smoke color. An airy handmade steel fabric-less shade sits atop. A black fabric cord completes the piece. Pull chain switch at socket.

Single socket - 120V E26 100W max

Glass base available in clear/smoke only.

Black fabric cord (250cm L)

Bulb not included.

LT201SMK **pull table lamp**

39"H x 16"Dia (100x40cm)



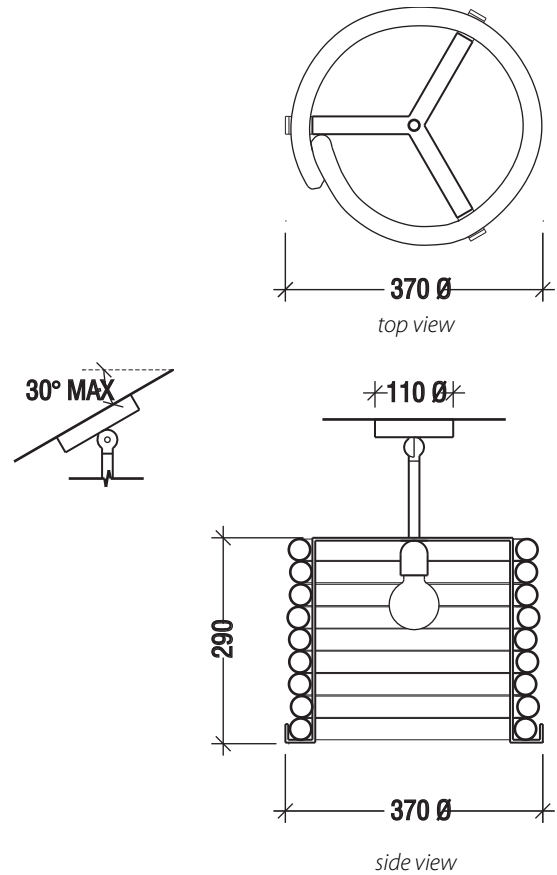
spun table lamp *light*

designer: karen gilbert + paul pavlak

available in: *amber-AMB white-WHT red-RED*

LT259 --- **spun table lamp** *light*

24"H x 12"Dia (61x30.5cm)



lasso vertical pendant *light*

designer: karen gilbert + paul pavlak

Thick vertically stacked glass lasso components supported on a steel base, hung by a rigid steel stem. Includes ball pivot at top of stem to accommodate sloped ceiling. Part of the *lasso* lighting collection, which features thick individual loops of Czech glass, each with a boldly expressed overlapping joint, stacked and suspended in groups, supported by steel frames with clean minimal lines.

Three standard stem lengths: 300/600/900mm - custom lengths available.

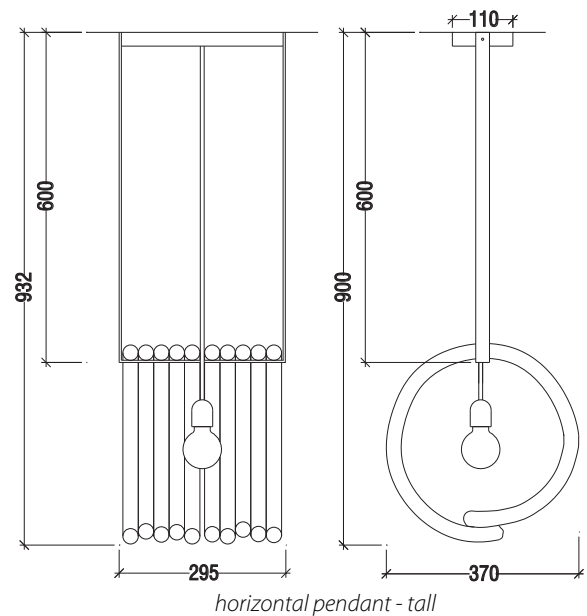
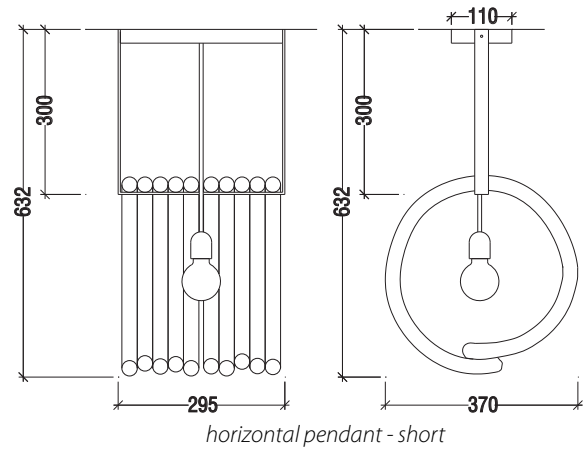
Single socket - 120V E26 100W max

Available in chrome only.

Includes 60W clear globe bulb.

LT131PNC **lasso vertical pendant**, chrome

290mm H x 370mm Dia



lasso horizontal pendant *light*

designer: karen gilbert + paul pavlak

Thick glass lasso components hung in series from a steel support. Part of the *lasso* lighting collection, which features thick individual loops of Czech glass, each with a boldly expressed overlapping joint, stacked and suspended in groups, supported by steel frames with clean minimal lines.

Available in two heights

Single socket - 120V E26 100W max

Available in chrome only.

Includes 60W clear globe bulb.

LT132PNC lasso horizontal pendant - short, chrome
LT133PNC lasso horizontal pendant - tall, chrome

632mm H x 295mm W x 370mm D
 932mm H x 295mm W x 370mm D

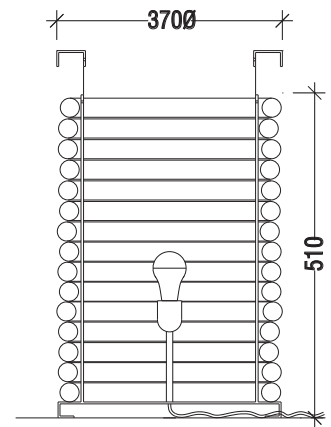
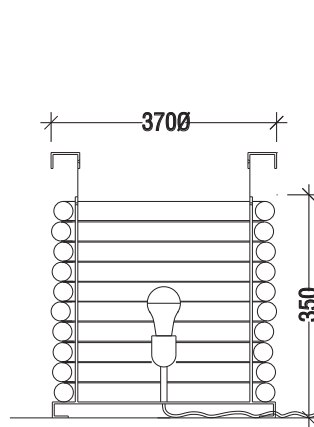
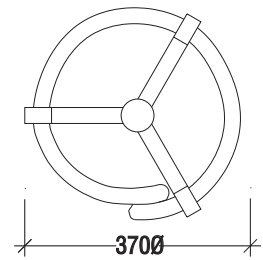
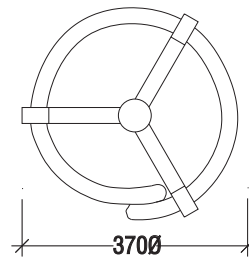


table light - short

table light - tall

lasso table light *light*

designer: karen gilbert + paul pavlak

Thick vertically stacked glass lasso components supported by a steel base. Part of the *lasso* lighting collection, which features thick individual loops of Czech glass, each with a boldly expressed overlapping joint, stacked and suspended in groups, supported by steel frames with clean minimal lines.

Available in two heights.

Single socket - 120V E26 100W max

Available in chrome only.

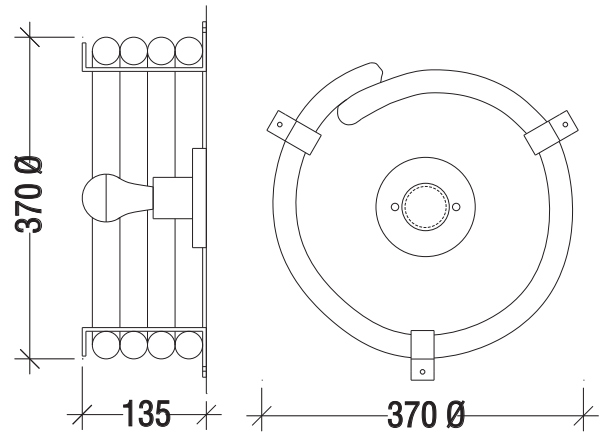
Black cord (250cm L) with in-line switch

Includes 60W half-chrome mirrored top bulb.

LT134PNC
LT135PNC

lasso table light - short, chrome
lasso table light - tall, chrome

350mm H x 370mm Dia
510mm H x 370mm Dia



lasso wall light *light*

designer: karen gilbert + paul pavlak

Thick glass lasso components stacked out from the wall supported by three steel brackets surrounding a single custom steel socket. Part of the *lasso* lighting collection, which features thick individual loops of Czech glass, each with a boldly expressed overlapping joint, stacked and suspended in groups, supported by steel frames with clean minimal lines.

Single socket - 120V E26 100W max

Available in chrome only.

Includes 60W half-chrome mirrored top bulb

LT136PNC lasso wall light, chrome

135mm H x 370mm Dia